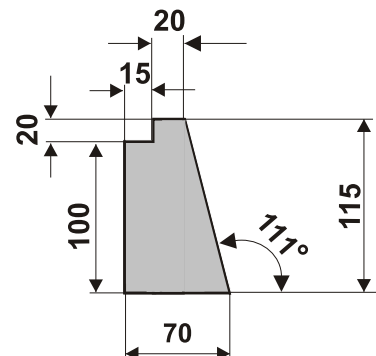
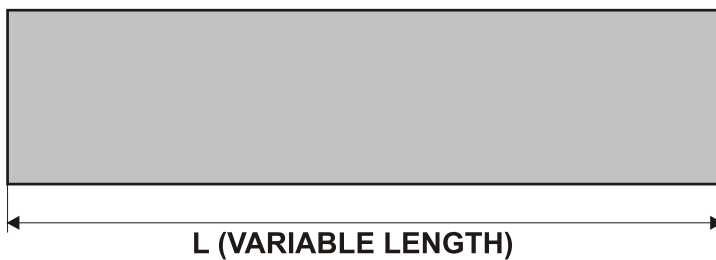




Car lift pushbutton stations with horizontal fixing of the components in one or two lines of buttons for increased accessibility. The length of the pushbutton station is variable according the length of the side of the car. Faceplate in stainless steel with hidden fixing allen screws. The pushbutton station can be made any length using special finishes for two edges.

BASIC DIMENSIONS

A. SINGLE LINE OF BUTTONS



B. DOUBLE LINE OF BUTTONS

