

Keypad lock 1001

The board is a Keyboard lock, suitable for use in lifts for locking calls.

The keyboard lock has 2 ways of operation

a. Call with code

Type the code that has been programmed for the specific floor to activate and deactivate the check relay at the programmed time.

When the code is registered the relay is active for the programmed time and the call is active during that time. After the duration of that time the relay deactivates and the call button is locked again.

The connection of the device is shown in figure 1. Connect from 12V up to 24V AC/DC to the power supply inputs + and -. The current is 20mA. In the outputs connect the common of the calls (COM) to C and to the call buttons that do not use a code. Connect the common of the call buttons that use a code to 1, 2, 3, 4.

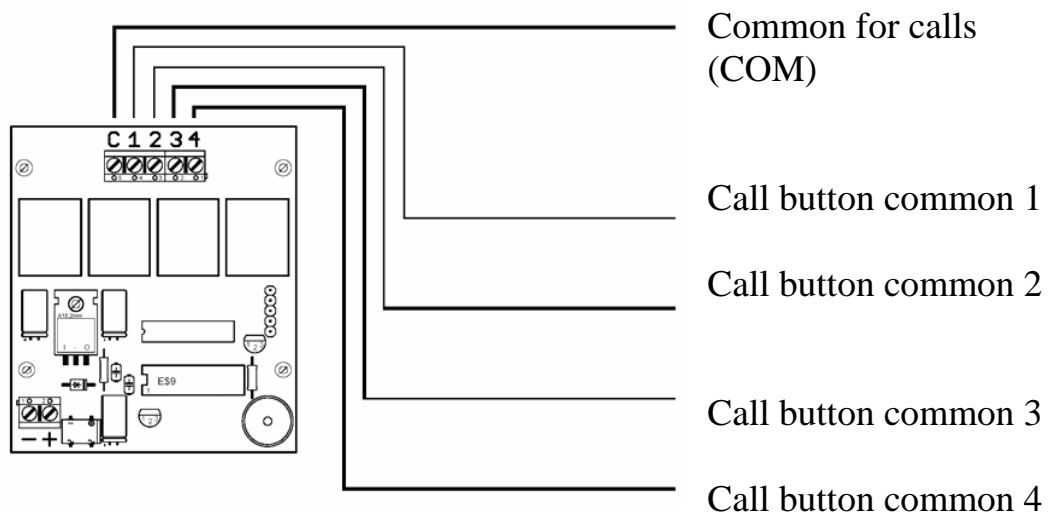


Figure 1

b. Locking and unlocking call activation

Press the code that has been programmed for the specific floor to activate the relay that is connected to that call. The relay remains active and the call can be registered until the code is registered again.

From the first code registration and on, the call button remains active and all the calls registered will be executed. When the code is registered again the call button is locked again and no calls will be registered. The device connections for this function is shown below (Figure 2). Connect from 12V up to 24V AC/DC to the power supply inputs + and -. The current is 20mA. In the outputs connect the common of the calls (COM) to C and in contacts 1, 2, 3, 4 connect the common of the buttons you want to lock and unlock.

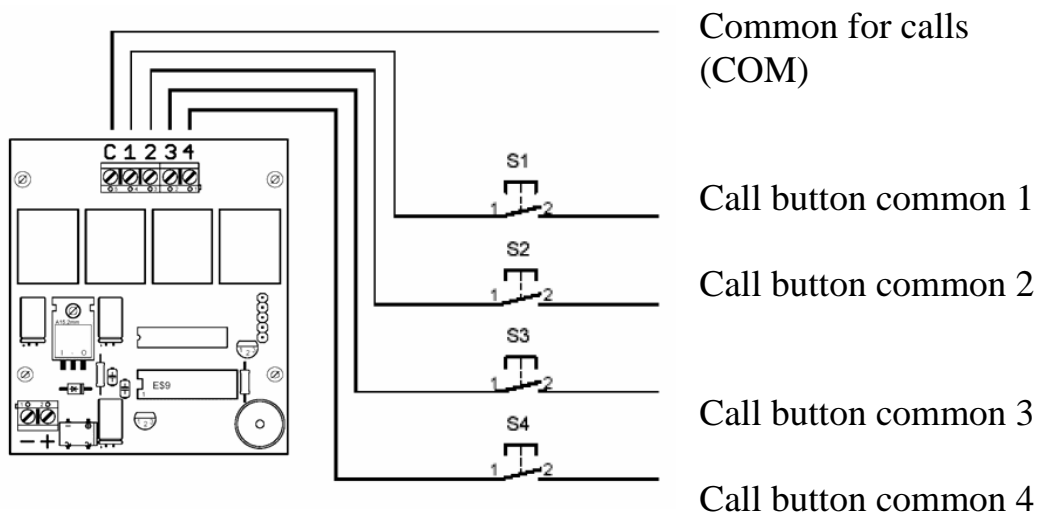


Figure 2

Programming

Relay function selection

***92*ff#**

Function a. Call activation with code and timer

92*ff

Function b. Locking and unlocking call activation

ff is the number of the relay. For example 01 for the first relay.

Time for activation of the relay

91*ss

ss is the number of seconds (for example 04) that the relay will remain active in case we choose function a. Factory setting is 02

Programming the relay code

ff*xxx*ccc

ff is the number of the relay. For example 03 is the third relay.

xxx is the old code (Factory setting is 000)

ccc is the new code

Example: In order to program code 564 on the second relay for the first time, press ***02*000*564***. To change the code for a second time press ***02*564*114**. Now the code to activate the call that is connected to the second relay is **2114**.

If the third relay was used the code would have been **3114**.

Resetting to factory values

To reset the factory values and cancel all the codes disconnect the power supply and connect it again pressing at the same time # and * buttons. Stop pressing the buttons when the beep stops.

Sound messages

During all programming steps the device gives a sound message (beep) One beep means that the programming is wrong / start the programming from the beginning.

Two beeps mean that the programming is correct and the values are registered.

